

FILTER NOZZLES FOR WATER TREATMENT

NAPEEC manufactures stainless steel and thermoplastic filtering nozzles for different water treatment. Applications including: treatment of drinking water, dematerialized water production, condensate de-oiling, etc.

We can offer expert advise in designing, sizing and Material selecting of filter nozzles for any particular application.

From a wide range of material we select those best suited to each plant's operating condition, with ideal mechanical strength and chemical and thermal resistance, in order to guarantee maximum operation and durability. Our products are made with only the best material.

PP-POLYPROPYLENE

This is an optimum thermoplastic resin for different fields as well as drinking water but with certain restrictions:

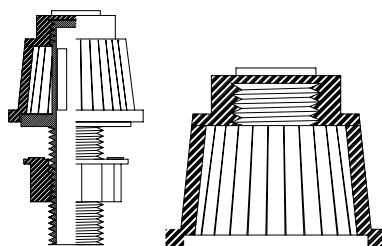
- A limited temperature tolerance (max. peak value of 70°C with a limit of 80°C for particular formations).
- Shockproof under normal temperature (15-20 °C), but more fragile at lower temperatures.

PVDF- POLYVINYLIDENFLUORIDE:

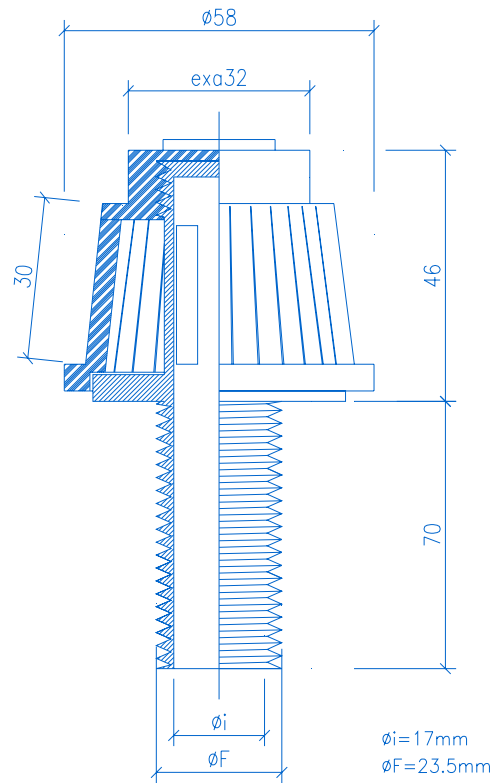
The best-suited thermoplastic resin for production of filter nozzle, with optimal mechanical strength, abrasion resistance, and thermal stability. It is resistance to majority of chemical product and solvents and has optimum ageing resistance. Suitable for contact with drinking water and drinking liquids. The only disadvantage to using PVDF is its higher price and greater specific weight.

AISI 316L- AUSTENITIC STAINLESS STEEL

This material, which has limited resistance to concentrated acid solutions and hydrochloric acid, is used for special applications and at temperature above 135 °C.



FILTER NOZZLES WITH VERTICAL SLOS

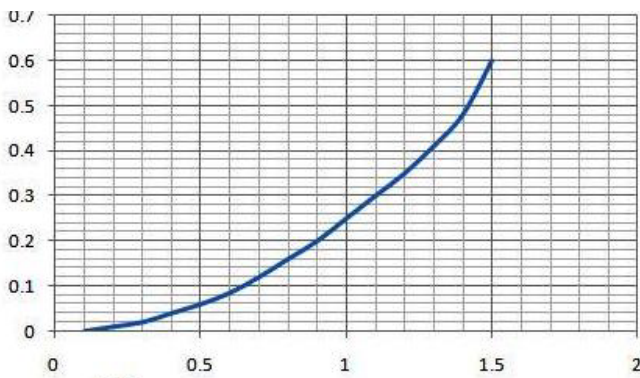


Type	Slot width mm	Slot No	Aera mm ²
P7	0.25	30	225
	0.5	26	390

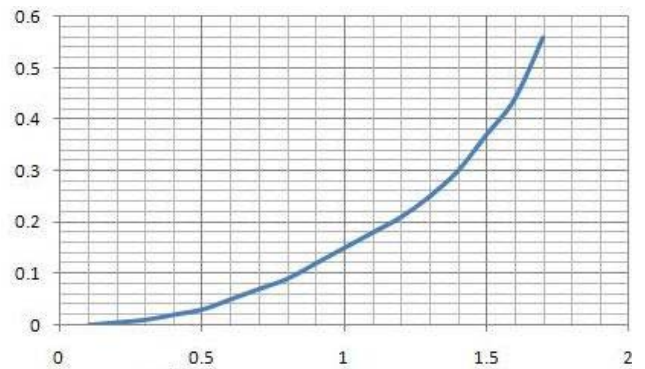
thread	ϕF mm	ϕi mm	Stem area mm ²	L1 mm
M23	23.2	17	225	20,30,50

Matrial	PP-PE-PVDF-PVC-EPDM
---------	---------------------

m.w.c. **Curva dp/Pressure: P7-0.5**



m.w.c. **Curva dp/Pressure: P7-0.5**



انجمن شرکت های مهندسی و پیمانکاری نفت، گاز و پتروشیمی



انجمن تخصصی مراکز تحقیق و توسعه صنایع و معادن
Society of the Iranian Industries & Mines

