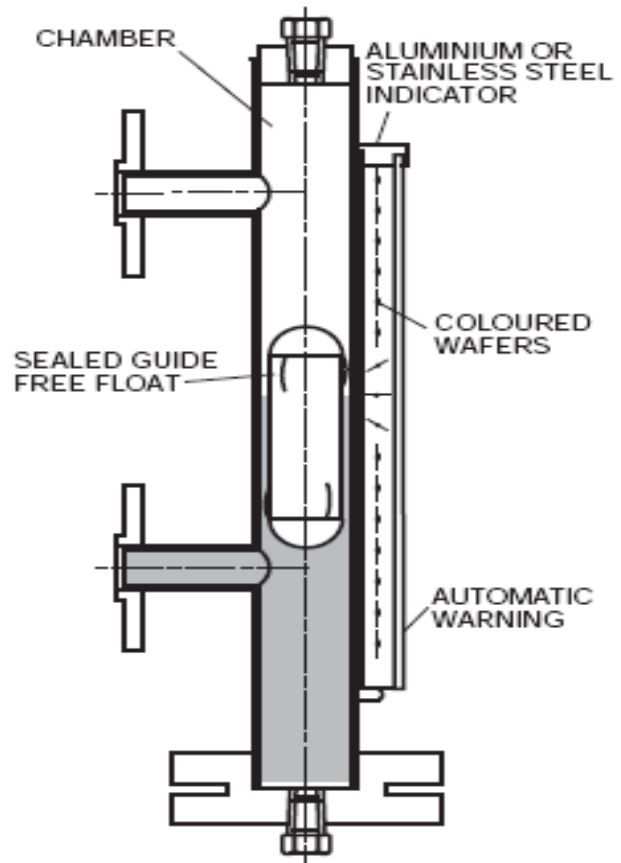


## MAGNETIC LEVEL GAUGES

### Functioning and General Information:

The well proven NAPPEC Magnetic Level Gauges particularly suitable for duties where dangerous and toxic liquids or gases are involved and where the following features, benefits and options are required:

- Immediate and accurate response to level changes, giving clear and sharp legibility.
- Continuous indication of liquid level.
- Robust, shockproof and completely sealed for safety.
- No leakage to atmosphere.
- Ideal for liquid interface applications.
- Simple to engineer and easy to install.

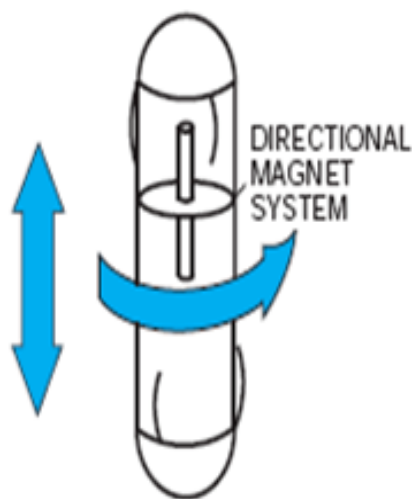


### Advantages of Magnetic Level Gauge:

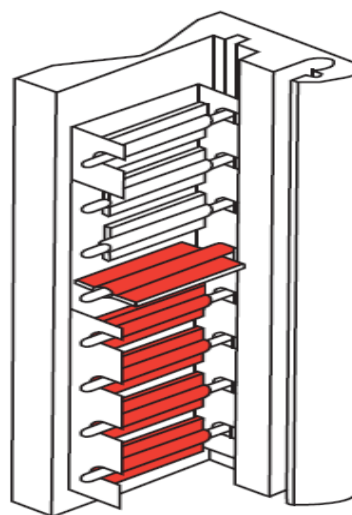
No risk of glass breakage as a result of the separation of the measurement and indicator areas. The float principle means that changes of the density in the medium have very little influence on the indication accuracy.

### Floats features:

The float with its special magnet can rotate freely in float chamber. The special construction avoids a guide wire and other devices.



Non Guided System



SIMPLE & ROBUST FLAPPER DESIGN

### Materials:

The gauge chamber and the floats are made of stainless steel, titanium, Hastily, PVC, PP, PVDF and PTFE.

Other materials on request.

### Auxiliary Equipment:

- Anti freezing heating belt for use in the open air
- Vent/drain valves, threaded or flanged connection
- Measuring scale, divisions to client's specifications
- Protective hose, additional protection of the indicator against dust, dirt and moisture



انجمن شرکت های مهندسی و پیمانکاری نفت، گاز و پتروشیمی



انجمن تخصصی مراکز تحقیق و توسعه صنایع و معادن  
Society of the Iranian Industries & Mines



انجمن دانشمندان، مهندسان و تکنسینان صنعت نفت ایران