

NUTSHELL FILTERS

NUTSHELL FILTERS

Nutshell filters can ensure a good efficiency in the removal of both oil and suspended solids.

The typical performances that can be achieved in our designed nutshell filter are:

- 1-Removal of suspended solids: 95-99 %
- 2-Removal of oil and hydrocarbons: 90-98 % (without the use of chemicals (surfactants))

NUTSHELL MEDIA

Crushed nut shells are available in the market from a limited number of producers, in a variety of grain sizes (meshes) and origin. Black or English Walnut and Pecan are the most used types of nuts, and a blend of them can also be specified for the formation of the bed.

The average working life of the nutshell is generally considered between 3 and 5 years. After this time, the bed is to be replaced.

APPLICATIONS

Depth filtration systems are common in many industries for removal of dirt and other contaminants from fluid streams. Some of applications which used in metalworking, power generating, municipal, chemical and petrochemical industries are as follows:

- Removing suspended solids and hydrocarbons from water
- Removal of oily residues
- Ash removal
- Metallic hydroxides removal



KNOW HOW

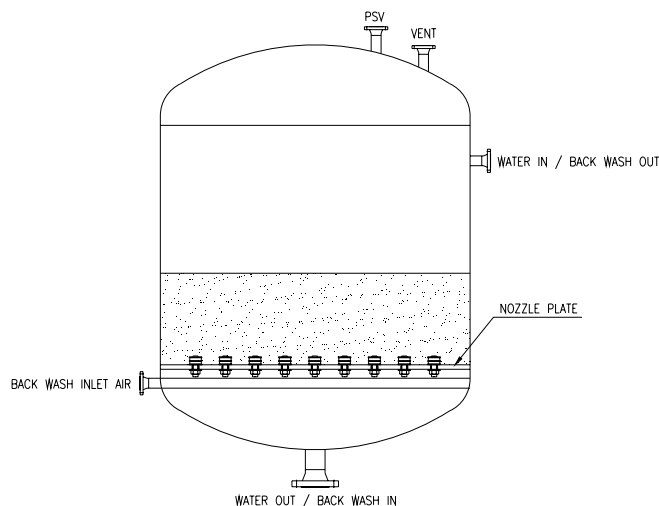
NAPEEC design and supply Nutshell Filters with License of WET (Water Edge Technologies).expert In Separation Technologies, www.wetbyrognoni.com

NAPEEC takes advantage of the both last generation of nutshell filters which differs in the backwash system.

1- Air blowing backwash system

Advantages of this system in comparison to old systems applied to:

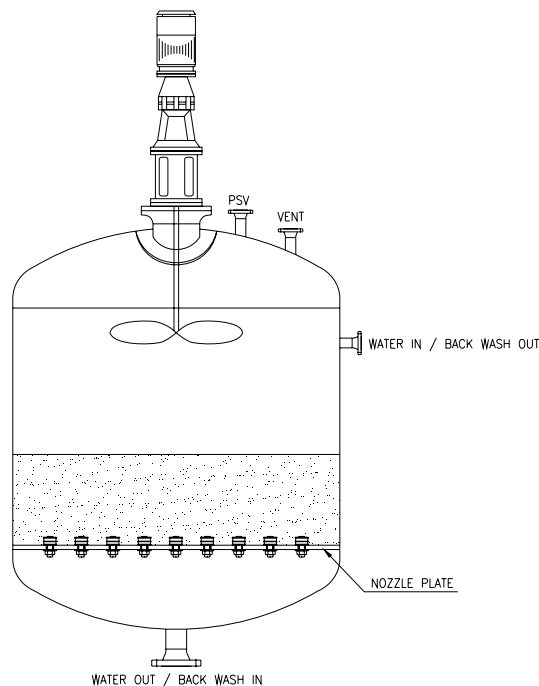
- Most cost effective
- Generally easy system
- Technically more effective backwash process
- Smaller size of the package and less accessories



2- Mechanical Agitation backwash system

Advantages of this system in comparison to old systems applied to:

- eliminate the mud balling stagnant zones
- Enhanced energy for fluidization with the mixer
- Rotating Scrubber (more effective) on request
- Less amount of water for backwash.



اتحادیه شرکت های مهندسی و پیمانکاری نفت، گاز و پتروشیمی



انجمن تخصصی مراکز تحقیق و توسعه صنایع و معادن
Society of the Iranian Industries & Mines

